

Coupling ICP / MS - Laser ablation relevance for prototypical Corium characterization

J. Faure, E. Excoffier

► **To cite this version:**

J. Faure, E. Excoffier. Coupling ICP / MS - Laser ablation relevance for prototypical Corium characterization. ATALANTE 2016 - Cycle du combustible et gestion des déchets, Jun 2016, Montpellier, France. cea-02442321

HAL Id: cea-02442321

<https://hal-cea.archives-ouvertes.fr/cea-02442321>

Submitted on 16 Jan 2020

HAL is a multi-disciplinary open access archive for the deposit and dissemination of scientific research documents, whether they are published or not. The documents may come from teaching and research institutions in France or abroad, or from public or private research centers.

L'archive ouverte pluridisciplinaire **HAL**, est destinée au dépôt et à la diffusion de documents scientifiques de niveau recherche, publiés ou non, émanant des établissements d'enseignement et de recherche français ou étrangers, des laboratoires publics ou privés.

COUPLING ICP/MS – LASER ABLATION : RELEVANCE FOR PROTOTYPICAL CORIUM CHARACTERIZATION

MARCOULE/DTEC/SGCS/LMAC

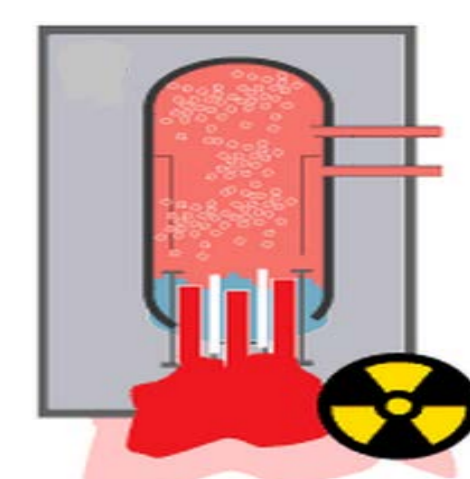
Joël FAURE* – Emmanuel EXCOFFIER

Introduction

Project background: The cooling loss of a nuclear reactor, caused by a major accident, can trigger the fusion of the core reactor and its adjacent structures. The magma created during this fusion is named "corium" and can be responsible of the reactor tank puncture and therefore of radioactive products release related risks.

Extensive knowledge of corium → **REMEDATION AND STORAGE**

Objective : To determine the analysis optimised settings of an ablation laser coupled to an ICP/MS in order to establish the elementary and isotopic compositions of prototypical coriums.



Schema of a leaking reactor tank

Samples

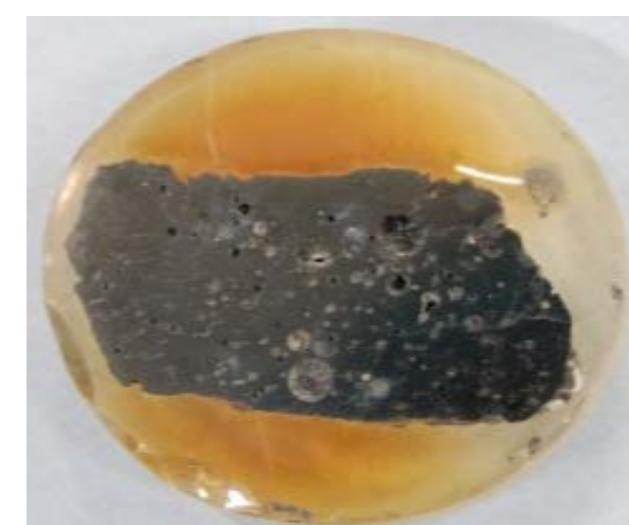
Because of its hard accessibility and its irradiations, corium samples are prototypes made from depleted uranium on CEA Cadarache site.

Fabrication steps

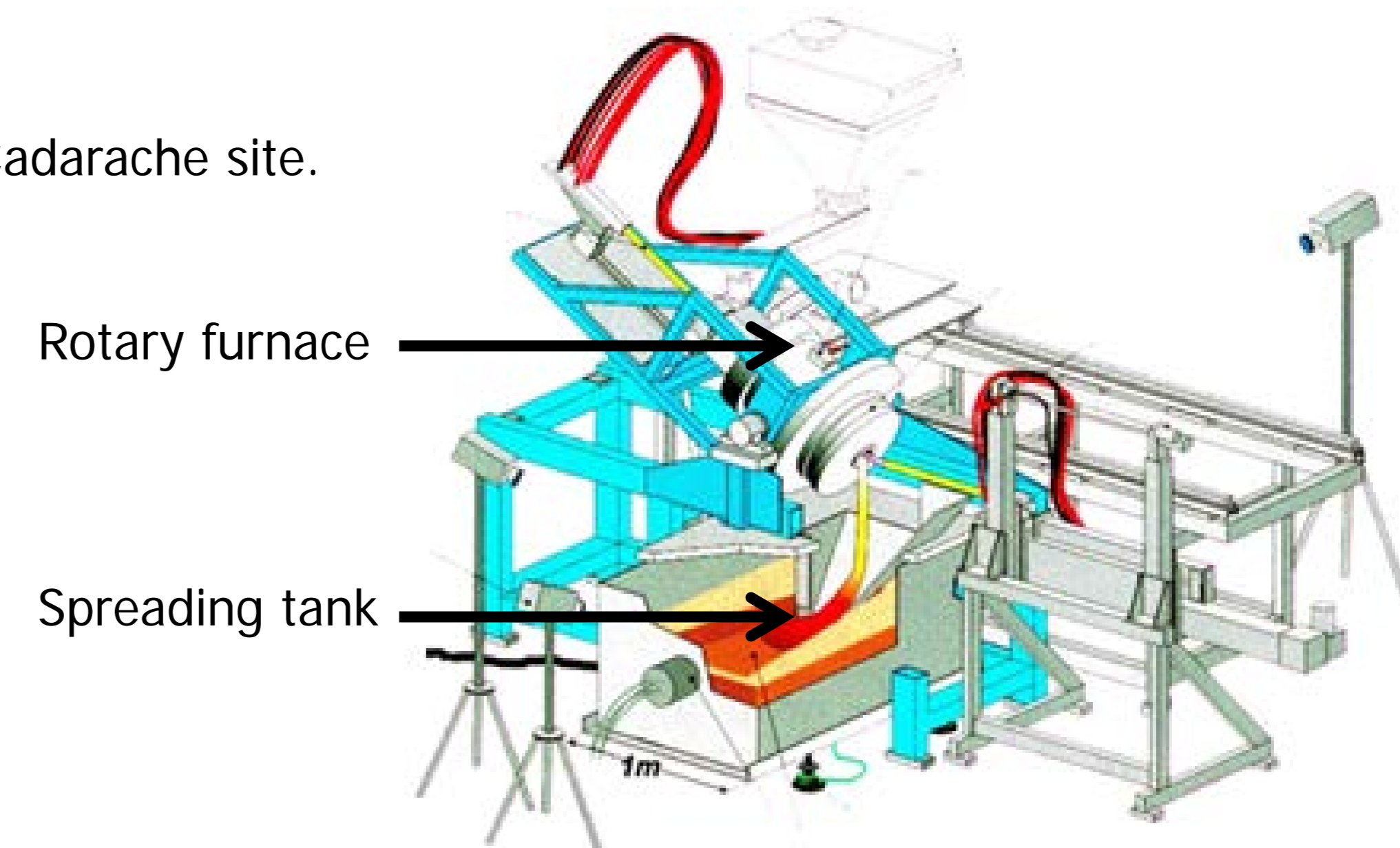
- Specific mixes powders (UO_2 , ZrO_2 , Fe_xO_y)
- Plasma arc heating in the rotary furnace of the fabrication device
- Spreading on a specific substrate tank (concrete, steel or ceramic)



Sample preparation by resin coating then polishing



Corium prototype from Cadarache



Fabrication device of corium prototypes

Analyses technique

Principle : An ablation laser is abrade the surface of the sample on some tens μm of depth and a particles cloud is created. This spray is carried to the ICP torch by a gas mix made of helium and argon. The spray is atomized and ionized as soon as it gets in the plasma. These ions are then qualitatively and/or quantitatively analysed by the mass spectrometer. To make a more robust plasma, a second spray generated by an ultrasonic nebulizer can be added. The two particle clouds are combined using a Y-shaped piece.

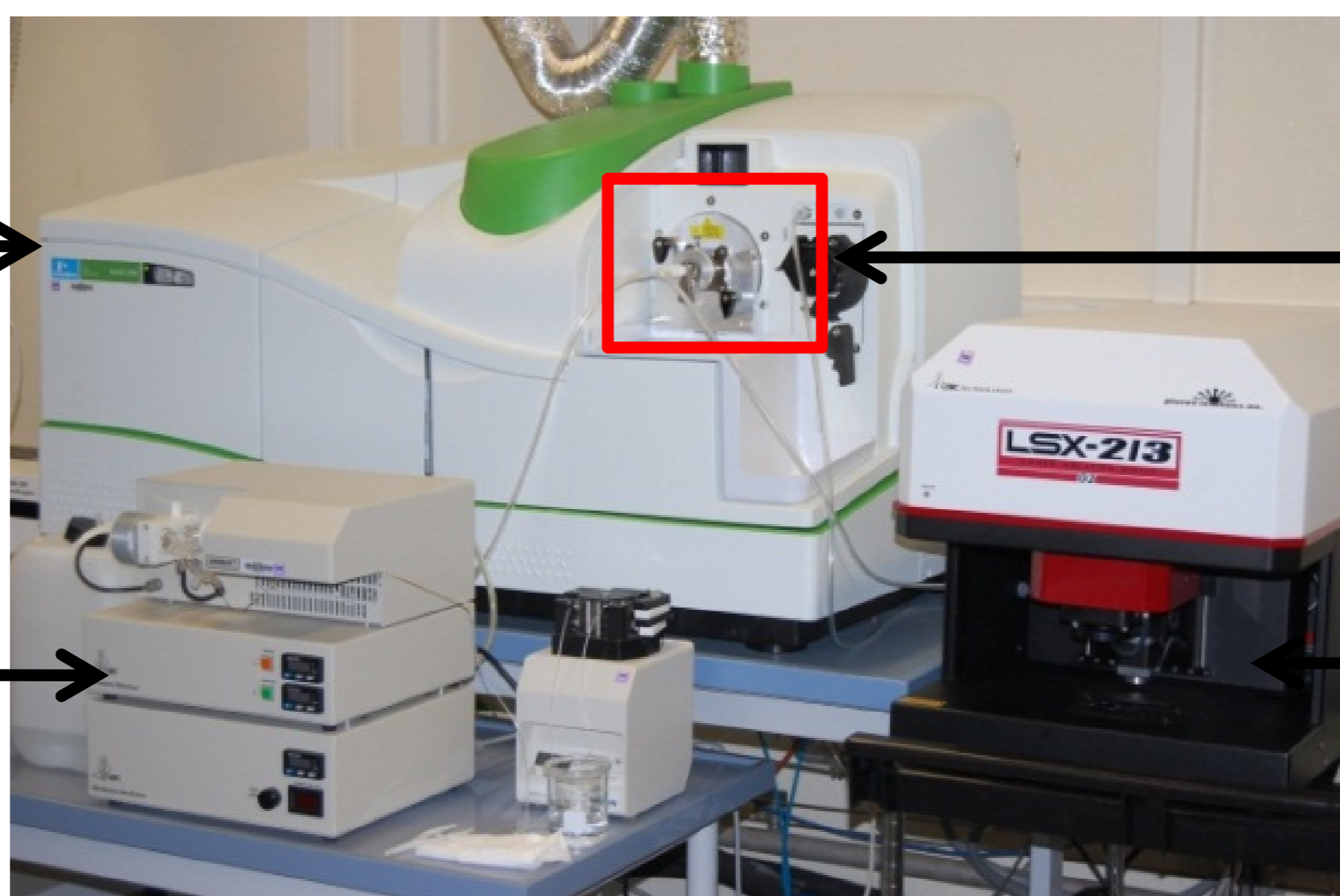
ADVANTAGES → Little or no sample preparation needed and an elementary/isotopic cartography of the analysed solid can be realized.

DRAWBACK → The major drawback is named « **ELEMENTARY SPLITTING** », which is a non-congruent ablation of the chemical elements impacting the results accuracy. This phenomenon is mainly triggered by the ablation laser characteristics (pulse time and wavelength)

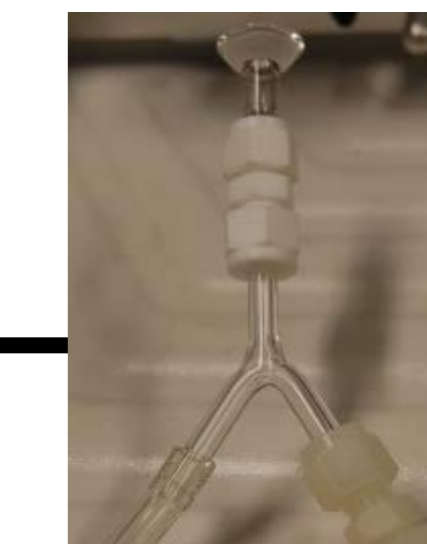
ICP – MS PerkinElmer « Nexion 300d »

- Sensibility : $\sim 5 \times 10^8$ hits/ppm
- Background noise : < 1 hit mass 220
- Resolution : from 0,2 to 0,7 amu at 10% peak height

Ultrasonic nebulizer CETAC «U-6000AT+»



Coupling LA-ICP/MS used set-up



Y-shaped piece

Laser ablation CETAC « LSX-213 G2 » :

- Pulse length : ~ 5 ns
- Laser wavelength : 213 nm
- Ablation frequency : 1 – 20 Hz
- Maximum energy / shot = 4 mJ
- Ablation diameters= 5 – 200 μm

Experimental design

Factors and responses : Considering several bibliographic sources, influences of **12 factors** of the coupling are monitored on **3 responses** .

Sample : A massive solid of glass matrix called **NIST 612**, is used to identify the influent factors

Experimental design types: Experimental designs of Plackett and Burman (involving the Hadamard matrix) are selected for this study

12 factors → 32 experiments

Variable	Factor	Levels	
		-	+
X ₁	Carrier gas flow rate (L/min)	0,5	1
X ₂	Nebulisation gas flow rate (L/min)	0,9	1,1
X ₃	Repetition rate (Hz)	10	20
X ₄	Incident energy of a pulse (%)	25	75
X ₅	Crater diameter (μm)	50	150
X ₆	ICP power (W)	1250	1500
X ₇	Plasma gas flow rate (L/min)	15	18
X ₈	Torch depth (mm)	0	0,5
X ₉	Integration time per peak : Dwell time (ms)	10	30
X ₁₀	Number of scans	10	30
X ₁₁	Laser travel speed ($\mu m/s$)	25	50
X ₁₂	Number of repetitions	1	3

Table of the selected factors

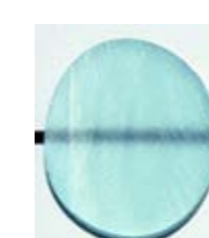
INFLUENCING PARAMETERS

Nebulisation gas flow rate, crater diameter, Incident energy of a pulse, carrier gas flow rate and shot frequency

- Responses**
- Raw intensity in U
 - Raw intensity in Zr
 - Intensity ratio U/Zr

Influencing parameters optimisation

Approach followed : Semi quantitative analyses based on three different reference materials.



Standard → NIST 612



Samples → NIST 610 and Zircon 91500



Optimised parameters :

Nebulisation gas flow rate= 0.5 L/min Shot frequency = 20 Hz
Crater diameter = 100 μm Carrier gas flow rate= 0.6 L/min
Incident energy= high for glass matrix and low for zircon matrix

Other influencing parameters found in the literature :

Ablation mode= raster 400 hits/crater Y-shaped piece angle = 60°

Use of optimal settings

Method : Direct semi quantitative analysis of the prototypical corium from Cadarache calibrated with **Zircon 91500** and compared to MEB/EDS results.

	Microscopy Analyses	ICP/MS Analyses	Relative error (%)
Uranium (weight %)	35.01	41.80	19
Zirconium (weight %)	20.84	21.55	3
Weight Ratio U/Zr	1.68	1.96	17

Results table including relative errors on U, Zr and U/Zr measures using prototypical corium from Cadarache

Prospects

The continuation of this work consists in applying the optimal settings determined for the prototypical corium from Cadarache to other experimental coriums. The experimental steps (research, optimisation and use of the influencing parameters) could also be applied to minor elements analyses in corium (Fe, Mg, Al...).