



HAL
open science

Evidence of Growing Spatial Correlations during the Aging of Glassy Glycerol

G Brun, F. Ladieu, D L 'Hôte, G Biroli, J-P Bouchaud

► **To cite this version:**

G Brun, F. Ladieu, D L 'Hôte, G Biroli, J-P Bouchaud. Evidence of Growing Spatial Correlations during the Aging of Glassy Glycerol. *Physical Review Letters*, 2012, 109, pp.175702. 10.1103/PhysRevLett.109.175702 . cea-01394423

HAL Id: cea-01394423

<https://hal-cea.archives-ouvertes.fr/cea-01394423>

Submitted on 9 Nov 2016

HAL is a multi-disciplinary open access archive for the deposit and dissemination of scientific research documents, whether they are published or not. The documents may come from teaching and research institutions in France or abroad, or from public or private research centers.

L'archive ouverte pluridisciplinaire **HAL**, est destinée au dépôt et à la diffusion de documents scientifiques de niveau recherche, publiés ou non, émanant des établissements d'enseignement et de recherche français ou étrangers, des laboratoires publics ou privés.

Evidence of growing spatial correlations during the aging of glassy glycerol

C. Brun¹, F. Ladieu^{1*}, D. L'Hôte¹, G. Biroli², and J-P. Bouchaud^{3*}

¹ *SPEC/SPHYNX (CNRS URA 2464), DSM/IRAMIS CEA Saclay, Bat.772, F-91191 Gif-sur-Yvette France*

² *Institut de Physique Théorique, CEA, (CNRS URA 2306), 91191 Gif-sur-Yvette, France and*

³ *Capital Fund Management, 6, Bd. Haussmann, 75009 Paris, France*

(Dated: September 18, 2012)

We have measured, as a function of the age t_a , the aging of the nonlinear dielectric susceptibility χ_3 of glycerol below the glass transition. Whereas the linear susceptibility can be accurately accounted for in terms of an age dependent relaxation time $\tau_\alpha(t_a)$, this scaling breaks down for χ_3 , suggesting an increase of the amplitude of χ_3 . This is a strong indication that the number N_{corr} of molecules involved in relaxation events increases with t_a . For $T = 0.96 \times T_g$, we find that N_{corr} increases by $\sim 10\%$ when t_a varies from 1ks to 100ks. This sheds new light on the relation between length scales and time scales in glasses.

An old plastic ruler under tension has a longer length than a newly made one [1]. This is a striking illustration of the *aging* phenomenon, the hallmark of the physics of glasses. The physical properties of an aging system depend on the time t_a elapsed since the material has fallen out of equilibrium; i.e., since the glass transition has been crossed. Understanding aging is of paramount importance [1, 2], both from a fundamental and a practical point of view (many daily-life materials do in fact age). Yet, there is no universally accepted theoretical description of the basic mechanisms of aging, although many scenarii have been proposed (see [2–6]).

One of the most distinctive features of aging is the increase of the physical relaxation time τ_α with the age t_a [1, 4, 7–12]. In the case of spin-glasses, this increase has been rather convincingly attributed to the growth of the number N_{corr} of cooperatively relaxing spins. Both simulations [13] and experiments [14] are compatible with this scenario, and allow one to estimate the dynamical growth law $N_{corr}(t_a)$. The situation is much less clear for most other glassy systems, either experimentally or numerically [13, 15]. In fact, while there are only two simulations [16, 17] reporting the growth of a dynamical correlation length during the aging of model glasses, and few analytical studies [13, 18, 19], there is to our knowledge *no available experimental result* for real glass-formers. The last decade has witnessed an outburst of activity on dynamical heterogeneities and on the determination of the size N_{corr} of dynamically correlated molecules in glasses [2, 5], but almost all these studies have been confined to *equilibrated* systems. Whereas a compelling positive correlation between $N_{corr,eq}(T)$ and the equilibrium relaxation time $\tau_\alpha(T)$ has been established above the glass temperature T_g (see [5] and refs. therein), its aging counterpart has not been investigated experimentally. The aim of the present study is to extend to the aging regime the experimental determination of N_{corr} that relies on the cubic nonlinear dielectric susceptibility [20, 21]. We will report, for the first time, clear experimental evidence of the growth of the size of dynamically correlated regions during the aging of glycerol – a prototypical glass former.

As argued in [19], non-linear susceptibilities are the ideal gambits that elicit the growth of amorphous order in glassy systems. Whereas linear susceptibilities (dielectric, magnetic, elastic, etc.) are blind to amorphous order and dynamical correlations, the equilibrium cubic nonlinear dielectric susceptibility χ_3 of deeply supercooled glass formers is given, at temperature T , by [19]:

$$\chi_3(\omega, T) \approx Z(T)N_{corr,eq}(T)\mathcal{H}(\omega\tau_\alpha(T)) \quad (1)$$

$$Z(T) \equiv \frac{\epsilon_0\Delta\chi_1^2(T)a^3(T)}{k_B T}, \quad (2)$$

where $\omega = 2\pi f$ is the angular frequency, k_B the Boltzmann constant, ϵ_0 the vacuum permittivity, $a^3(T)$ the molecular volume, and $\Delta\chi_1(T) = \chi_1(\omega = 0, T) - \chi_1(\omega \gg \tau_\alpha^{-1})$ is the contribution to the static linear susceptibility of the degrees of freedom associated with the glass transition. In Eq. (1), $\mathcal{H}(u)$, with $u = \omega\tau_\alpha(T) \equiv f/f_\alpha(T)$, is a complex scaling function which goes to zero both for small and large arguments, and peaks in-between. Eq. (1) can be fully justified within the Mode-Coupling Theory of glasses [22]; it has been confirmed experimentally in [20, 21], and used to extract precise estimates of $N_{corr,eq}(T)$ in equilibrium. In the aging regime, it is natural to conjecture [19] that the above expression remains valid with $\tau_\alpha(T) \rightarrow \tau_\alpha(t_a)$ and $N_{corr,eq}(T) \rightarrow N_{corr}(t_a)$, therefore allowing one to infer information about the growing of N_{corr} during aging. Strictly speaking, such a simple substitution is too naive: one expects on general ground that (a) the scaling function \mathcal{H} should also be replaced by a different scaling function $\tilde{\mathcal{H}}$; and (b) the prefactor $Z(T)$ might itself acquire an age dependence: the value of both $\Delta\chi_1$ and a could evolve with age, and the temperature T should in principle [19] be replaced by an “effective” temperature $T_{eff}(t_a)$ that encodes the possible deviations to the equilibrium fluctuation-dissipation theorem [23–25]. However, our experiments are “weakly” out of equilibrium, since they reach equilibrium eventually. In this case we expect that the scaling assumption Eq. (1) generalized to the aging regime, with $\tilde{\mathcal{H}} = \mathcal{H}$ and $Z(t_a) = Z(T)$, holds to a very good approximation. Our strategy will

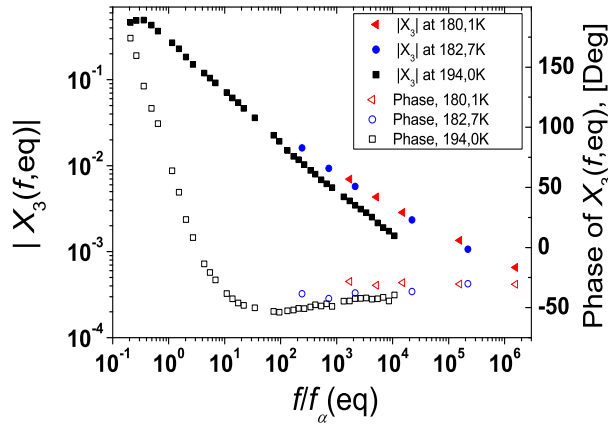


FIG. 1: (Color online) Equilibrium values of the modulus and the phase of X_3 , measured in glycerol for three temperatures around $T_g \simeq 188\text{K}$.

therefore be the following: (i) since the linear susceptibility does *not* depend on N_{corr} , its age dependence should only come from that of $\tau_\alpha(t_a)$. Indeed, we will establish that $\chi_1''(\omega, t_a) \approx \mathcal{G}''(\omega\tau_\alpha(t_a))$, where \mathcal{G}'' is the equilibrium scaling function (see Fig. 3). This allows us to determine $\tau_\alpha(t_a)$ directly; (ii) by waiting long enough (i.e. $t_a = 200\text{ks}$) we measure the equilibrium non-linear susceptibility $\chi_3(\omega, T)$ for various frequencies (see Fig. 3), thereby allowing one to obtain the scaling function $\mathcal{H}(u)$; (iii) inserting these informations into Eq. (1) in the aging regime, we can deduce the age dependence of N_{corr} (up to the assumption that $Z(t_a) = Z(T)$, see Fig. 4) [26].

Experiments. Ultrapure glycerol was purchased from VWR and placed in our dielectric setup described in Refs [20, 21, 27]. Glycerol was the dielectric layer of a capacitor made with stainless steel electrodes separated by a $8.25\mu\text{m}$ thick Mylar© ring. All the aging quantities were measured with the same T quench: The sample was first set to $196\text{K} \approx T_g + 8\text{K}$ (where $\tau_\alpha \approx 1\text{s}$) during 1hr, then it was cooled, *without any undershoot*, to the working temperature $T = 180.1\text{K}$ (or $T = 182.7\text{K}$) in 1.8ks, and finally T was kept constant within a $\pm 70\text{mK}$ interval during 200ks. We used a high harmonic purity a.c. field of amplitude $\leq 3\text{MVrms/m}$ to measure, separately, $\chi_3(\omega, t_a)$ as well as $\chi_1(\omega, t_a)$ and $\chi_1(3\omega, t_a)$ -see [28]. Once $\chi_3(\omega, t_a)$ is known, the key quantity is, according to Eq. (1), $X_3(\omega, t_a)$ defined as:

$$X_3(\omega, t_a) \equiv \frac{\chi_3(\omega, t_a)}{Z(t_a)} \approx N_{corr}(t_a)\mathcal{H}(\omega\tau_\alpha(t_a)) \quad (3)$$

The equilibrium values of $X_{3,eq}(\omega, T)$, obtained after the end of aging, are plotted as a function of $f/f_{\alpha,eq}$ in Fig. 1 for $T = 180.1\text{K}$ and for $T = 182.7\text{K}$ (f_α is defined as the peak frequency of $\chi_1''(\omega, T)$, [29]).

For comparison, we also plot the equilibrium data at $194.1\text{K} \approx T_g + 6\text{K}$ obtained in [20, 21] which shows that the qualitative trend already found above T_g [20, 21] holds also below T_g , i.e. $|X_{3,eq}|$ for fixed $f/f_{\alpha,eq}(T)$ increases when T decreases, [30].

Scaling analysis. During aging both $|\chi_1|$ and $|X_3|$ decrease for a given ω , because the dielectric spectrum shifts to lower frequencies [7–12]. This is illustrated by the series of symbols on Fig. 2. For not too deep quenches [7], such as ours, and for our limited range of 3.5 decades in frequencies, the shape of the spectrum of χ_1'' is not expected to change during aging except for an overall scaling factor. This is confirmed by Fig. 2 where the $\chi_1''(\omega, t_a)$ data for all frequencies and all ages can be very accurately reproduced by the equilibrium susceptibility $\chi_{1,eq}''(\omega, T = 180.1\text{K})$, up to a rescaling of the frequency by a factor $x(t_a) = f_\alpha(t_a)/f_{\alpha,eq}$ (see the dotted lines in Fig. 2 obtained by adjusting the factor $x(t_a)$ for each t_a). We have also checked that our values of $x(t_a)$ are close to what is predicted by the ansatz introduced in Ref. [9], [31]. We have checked that the very same $x(t_a)$ factor also allows us to rescale the $\chi_1'(\omega, t_a)$ data onto the equilibrium curve. Note that since the $\chi_1''(\omega, t_a)$ are not pure power-laws in frequency, horizontal and vertical shifts (in log-log) are not equivalent. Hence, the accurate rescaling of Fig. 2 implies that the *amplitude* of $\chi_1''(\omega, t_a)$ does not depend on the age. A finer look at the rescaling suggests that this amplitude is constant within a 1% uncertainty range, and if anything, *decreases* with age. This is important for the discussion of the $Z(t_a)$ factor in Eq. (1) that includes $\Delta\chi_1(t_a)$ to which $\chi_1''(\omega, t_a)$ is proportional. To estimate the difference between $Z(t_a)$ and $Z(T)$ we invoke the “fictive” temperature $T_{fict}(t_a)$ [3, 6, 7, 32] (not to be confused with the effective temperature T_{eff} defined such that $\chi_1''(\omega, t_a) = \chi_{1,eq}''(\omega, T_{fict}(t_a))$). This phenomenological recipe leads to $T_{fict}(t_a) > 0.3\text{ks} < T + 2\text{K}$. By extrapolating the T dependence of $\Delta\chi_1$ above T_g , we estimate that $\Delta\chi_1(t_a)$ may *increase* by at most 1.1% during aging. The order of magnitude is similar to the one suggested by the rescaling analysis above, albeit with an opposite sign. Similarly, we estimate that a^3 might *decrease* by $\sim 0.2\%$ during aging. Finally, close to 180K, $T/T_{eff}(t_a)$ was found to increase in glycerol during aging, by $\sim 2\%$ according to [24], but by at most 0.7% according to the recent work of Ref. [25]. Altogether, we conclude that $Z(t_a)/Z(T)$ remains very close to unity, with a probably much overestimated maximum increase of 4% during aging. This effect is therefore smaller than the $\sim 12\%$ increase of $N_{corr}(t_a)$ that we infer from our analysis below.

Our central experimental result is summarized in Fig. 3 where we now show both $\chi_1''(\omega, t_a)$ and $|X_3(\omega, t_a)|$ as a function of $f/f_\alpha(t_a)$ for $1\text{ks} \leq t_a \leq 200\text{ks}$. As expected from the results of Fig. 2, $\chi_1''(\omega, t_a)$ collapses very well onto the equilibrium curve. However, this collapse is *not* observed for $|X_3(\omega, t_a)|$ (Fig. 3, filled triangles and left

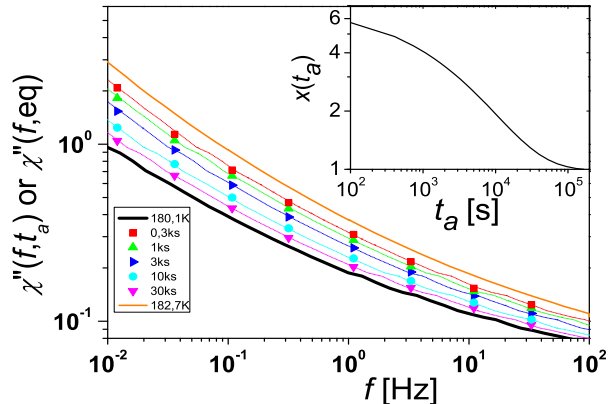


FIG. 2: (Color online) Aging of the out-of-phase susceptibility $\chi''_1(\omega, t_a)$ of glycerol at $T = 180.1\text{K}$ (filled symbols), in log-log coordinates. The thick (resp. thin) solid line correspond to the equilibrium spectrum at $T = 180.1\text{K}$ (resp. at $T = 182.7\text{K}$). The dotted lines superimposed to the filled symbols are obtained by translating horizontally the 180.1K equilibrium spectrum by a factor $x(t_a)$ (see text). *Inset*: Resulting curve for the scaling factor $x(t_a) = f_\alpha(t_a)/f_{\alpha,eq}$.

axis). The rightmost points of these series of triangle correspond to the equilibrium values $|X_{3,eq}(\omega, T)|$ and are singled out as large black squares. The thick line joining these black squares is an interpolation that corresponds to the equilibrium value of $|X_{3,eq}(\omega, T)|$ for intermediate frequencies. At variance with the good superposition obtained for χ''_1 , Fig. 3 reveals that, for a given $f/f_\alpha(t_a)$, the value of $|X_3(\omega, t_a)|$ is systematically *below* the corresponding value at equilibrium. This is exactly what is expected from Eq. (3): the ratio between these two values should be equal to $N_{corr}(t_a)/N_{corr,eq}(T)$, and should thus increase with age, precisely as observed in Fig. 3. Defining the vertical logarithmic distance δ , in Fig. 3, as:

$$\delta(u, t_a) \equiv \frac{Z(t_a)X_3(uf_\alpha(t_a), t_a)}{Z(T)X_{3,eq}(uf_{\alpha,eq})} = \frac{Z(t_a)N_{corr}(t_a)}{Z(T)N_{corr,eq}(T)}, \quad (4)$$

we obtain the last equality if Eq. (3) holds, in which case $\delta(u, t_a)$ should be *independent* of frequency. With $Z(t_a)/Z(T) \approx 1$ justified above, we conclude that $\delta(u, t_a)$ directly measures $N_{corr}(t_a)/N_{corr,eq}(T)$.

The values of $\delta(u, t_a)$ are plotted in Fig. 4, [33]. We indeed observe that, up to the precision of our measurements, $\delta(u, t_a)$ does not depend on frequency. This is an important consistency test of our scaling assumption, Eqs. (1,3). From Fig. 4, we deduce that $\delta(u, t_a)$ increases by $\approx 12\%$ when t_a increases from 1ks to 100ks. Since the ratio $Z(t_a)/Z(T)$ increases by at most 4%, we interpret the data of Fig. 4 as giving the first experimental evidence that the size of the dynamically correlated clusters

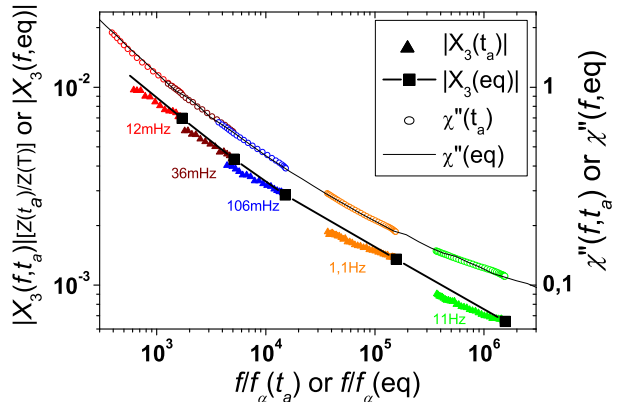


FIG. 3: (Color online) $T = 180.1\text{K}$. Solid curves: equilibrium quantities *vs* $f/f_{\alpha,eq}$. Small symbols: aging quantities *vs* $f/f_\alpha(t_a)$ -the value of f labels each data set-. Note the collapse of the aging and equilibrium curves for χ''_1 (right axis). This contrasts with what is observed for $|X_3|$ (left axis) where the aging values are systematically *below* the equilibrium ones. This reflects the *increase* of $N_{corr}(t_a)$ during aging; see text, Eqs. (3,4) and Fig. 4.

increases with the age in a glass former, see [34]. The increase of $N_{corr}(t_a)$ during aging can be approximately accounted for by extending the observation made in [20, 21]: the temperature dependence of $N_{corr,eq}$ deduced from non-linear susceptibility measurements can alternatively be obtained as: $\partial N_{corr,eq}/\partial T \approx 1.5\partial(T\chi_T)/\partial T$, where $T\chi_T = T \times \max_\omega |\partial(\chi''_{1,eq}(\omega, T)/\Delta\chi_1)/\partial T|$, see [21, 35–37]. We now surmise that this can be extended to the out-of-equilibrium regime by simply translating the $f_\alpha(t_a)$ dependence of Fig. 2 in terms of $T_{fict}(t_a)$ (see [38]). This heuristic procedure leads to the solid curve shown in Fig. 4, which is indeed close to the values of $\delta(u, t_a)$ directly drawn from our experiments. This suggests that it might be possible to extend the theoretical work of [35, 36] to aging, and get a simplified way of estimating $N_{corr}(t_a)$ using linear susceptibilities.

Time and length scales. Finally, we take advantage of the wide range of time scales over which the evolution of N_{corr} has been measured to revisit one of the most crucial aspect of glassy dynamics, namely the relation between time and length scales. Within the Random First Order Transition theory [39, 40], one expects $\ln(\tau_\alpha/\tau_0) = \Upsilon \ell_{PS}^\psi/k_B T$, where τ_0 is a microscopic time scale, Υ a typical molecular energy barrier, ℓ_{PS} the point-to-set correlation length [5, 39], which sets the size of the clusters that must rearrange cooperatively for the system to relax, and ψ the so-called barrier exponent. In Wolynes' version of RFOT, $\Upsilon = \kappa k_B T$ where κ is a number that depends weakly on molecular details, and $\psi = 3/2$ [40]. In order to compare with our results,

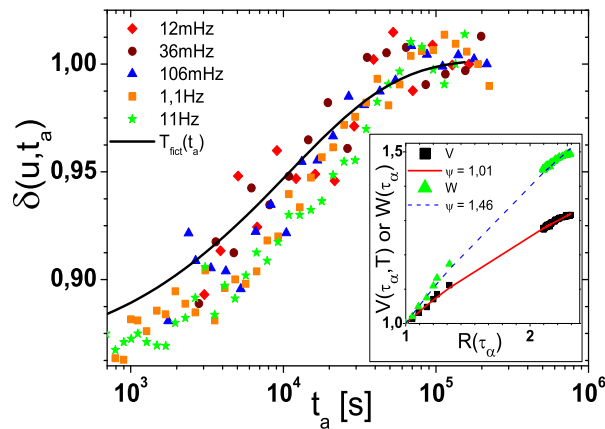


FIG. 4: (Color online) $T = 180.1\text{K}$. Values of $\delta(u, t_a) = Z(t_a)N_{corr}(t_a)/Z(T)N_{corr}(eq) \approx N_{corr}(t_a)/N_{corr}(eq)$ extracted from Fig. 3. $\delta(u, t_a)$ is found to be independent of frequency, as predicted by Eqs. (3,4). The solid line is the estimation based on phenomenological fictive temperature $T_{fict}(t_a)$, see text. *Inset*: Estimation of the exponent ψ (see text) using all aging and equilibrium data, starting from 204K where $\tau_{\alpha,eq} = 20\text{ms}$. The x -axis is $R(\tau_\alpha) = N_{corr}(\tau_\alpha)/N_{corr,eq}(20\text{ms})$ with $\tau_\alpha = \tau_\alpha(t_a)$ or $\tau_{\alpha,eq}$. For the y -axis, we chose either $\Upsilon = \Upsilon_0$ which amounts to $V = v(\tau_\alpha, T)/v(20\text{ms}, 204\text{K})$ and yields $\psi \approx 1$; or $\Upsilon = \kappa k_B T$ which amounts to $W = w(\tau_\alpha)/w(20\text{ms})$ and yields $\psi \approx 3/2$.

one should postulate that the size of dynamically correlated clusters N_{corr} is proportionnal to ℓ_{PS}^3 . This relation is not unreasonable, but sharp theoretical arguments are still lacking to relate unambiguously “cooperative” regions to “dynamically correlated regions”. In any case, we collect all our past and present data in the inset of Fig. 4, where we plot $v(\tau_\alpha, T) = T \ln(\tau_\alpha/\tau_0)$ and $w(\tau_\alpha) = \ln(\tau_\alpha/\tau_0)$ as a function of N_{corr} , where $\tau_\alpha = \tau_\alpha(t_a)$ or $\tau_{\alpha,eq}$. In Fig. 4, V and W correspond respectively to $\Upsilon = \Upsilon_0$ independent of temperature and to $\Upsilon = \kappa k_B T$. We fix the value of τ_0 to 10^{-14}s , leaving ψ as the only free parameter. To our surprise, we find that the best choice for ψ within the first hypothesis ($\Upsilon = \Upsilon_0$) is $\psi \approx 1$, which is the value found numerically in [41], whereas in the second hypothesis ($\Upsilon = \kappa k_B T$), we find $\psi \approx 3/2$, as predicted by Wolynes *et al.* Our data is compatible with both hypotheses [42], although slightly favoring the first one, in particular in the aging regime (see Fig. 4). Note that a factor 10 on τ_0 changes the value of ψ by $\sim 10\%$.

Conclusion. We have reported the first direct observation of the increase of N_{corr} in the aging regime of a structural glass. For glycerol at $T = 0.96T_g$, our quench protocol yields an increase of N_{corr} by $\sim 10\%$, which lasts $\sim 100\text{ks}$ [34]. These results deepen our microscopic understanding of aging and give precious information about the relation between time and length scales in

glasses. Our study opens a new path for studying aging in many other systems. It could also be extended to the more complicated thermal histories designed to probe the memory and rejuvenation effects [4, 8]. Monitoring the behaviour of N_{corr} in these experiments should shed a new light on these phenomena.

We thank C. Alba-Simionesco, S. Nakamae, G. Tarjus, R. Tourbot for help and discussions. GB acknowledges financial support from the ERC grant NPRG-GLASS.

* Electronic address: francois.ladieu@cea.fr

- [1] L.C.E. Struik, Physical Aging in Amorphous Polymers and Other Materials (Elsevier, Houston, 1978)
- [2] L. Berthier, and G. Biroli, Rev. Mod. Phys. **83**, 587 (2011).
- [3] A. Q. Tool, J. Am. Ceram. Soc. **29**, 240 (1946); O. S. Narayanaswamy, J. Am. Ceram. Soc. **54**, 491 (1971); C. T. Moynihan, *et al.* J. Am. Ceram. Soc. **59**, 12 (1976).
- [4] E. Vincent, *et al.*, in Sitges Conference on Glassy Systems, M. Rubi Edt. (Springer-Verlag, Berlin, 1997); E. Vincent, 2005, in Springer Lect. Notes Phys. **716** 760, (2007).
- [5] *Dynamical heterogeneities in Glasses, Colloids and Granular Media*, L. Berthier *et al.* Edts, Oxford University Press, 2011
- [6] V. Lubchenko, P. G. Wolynes, J. Chem. Phys. **121**, 2852 (2004).
- [7] R. L. Leheny, and S. Nagel, Phys. Rev. B **57**, 5154 (1998).
- [8] H. Yardimici, and R. L. Leheny, Europhys. Lett. **62**, 203 (2003).
- [9] P. Lunkenheimer, R. Wehn, U. Schneider, and A. Loidl, Phys. Rev. Lett. **95**, 055702 (2005).
- [10] X. Shi, A. Mandanici, and G. MacKenna, J. Chem. Phys. **123**, 174507 (2005).
- [11] T. Hecksher, N. B. Olsen, K. Niss, and J. C. Dyre, J. Chem. Phys. **133**, 174514 (2010).
- [12] R. Richert, Phys. Rev. Lett. **104**, 085702 (2010).
- [13] F. Corberi, L. Cugliandolo, H. Yoshino, Ch. 11 of [5]
- [14] F. Bert, *et al.* Phys. Rev. Lett. **92**, 167203 (2004)
- [15] G. Hunter, E. Weeks, Rep. Prog. Phys. **75**, 066501 (2012)
- [16] G. Parisi, J. Phys. Chem. B **103**, 4128 (1999)
- [17] A. Parsaeian, H. E. Castillo, Phys. Rev. E **78**, 060105(R) (2008)
- [18] S. K. Nandi, S. Ramaswamy, arXiv:1205.1152.
- [19] J.-P. Bouchaud, and G. Biroli, Phys. Rev. B **72**, 064204 (2005).
- [20] C. Crauste-Thibierge, C. Brun, F. Ladieu, D. L’Hôte, G. Biroli, and J.-P. Bouchaud, Phys. Rev. Lett. **104**, 165703 (2010).
- [21] C. Brun, F. Ladieu, D. L’Hôte, M. Tarzia, G. Biroli, and J.-P. Bouchaud, Phys. Rev. B **84**, 104204 (2011).
- [22] M. Tarzia, G. Biroli, J.-P. Bouchaud, and A. Lefèvre, J. Chem. Phys. **132**, 054501 (2010).
- [23] L. F. Cugliandolo, J. Kurchan, and L. Peliti, Phys. Rev. E **55**, 3898 (1997).
- [24] T. S. Grigera, and N. Israeloff, Phys. Rev. Lett. **83**, 5038 (1999).
- [25] J. Schindele, A. Reiser, and C. Enss, Phys. Rev. Lett. **107**, 095701 (2011).

- [26] Following Ref. [21], as $f \geq 10f_\alpha$, the trivial contribution to Eq. (1), not related to N_{corr} , is negligible here.
- [27] C. Thibierge, D. L'Hôte, F. Ladieu, and R. Tourbot, *Rev. Scient. Instrum.* **79**, 103905 (2008).
- [28] For details on $I(3\omega, t_a)$ measurements, see Supplementary Material (EPAPS) appended with this letter.
- [29] $f_{\alpha,eq}(T < T_g)$ was estimated by extrapolating the VFT law obtained for $f_{\alpha,eq}(T > T_g)$: as some deviation to VFT behavior might arise below T_g [6, 10], this introduces some uncertainty. Thus Fig. 1 is not a strict comparison between the data above and below T_g .
- [30] The frequencies reported in Fig. 1 belong to the α relaxation peak for which Eq. (1) was originally derived. In glycerol the small excess wing indeed corresponds to a typical frequency larger than $10^5 f_{\alpha,eq}$ close to T_g [43].
- [31] Note however that this ansatz requires the knowledge of $f_\alpha(t_a = 0)$ and $f_{\alpha,eq}$, which introduces some uncertainty, see [29].
- [32] S. Mossa, and F. Sciortino, *Phys. Rev. Lett.* **92**, 045504 (2004).
- [33] At $T = 182.7\text{K}$, as expected, we find weaker aging effects: aging lasts $\simeq 20\text{ks}$, and yields a relative increase of N_{corr} with t_a typically 2 – 3 times smaller than that of Fig. 4. These results are thus consistent with those at 180.1K.
- [34] Extrapolating the T dependence of $N_{corr,eq}(T)$ measured above T_g [20, 21], one estimates that the quench from $T_g + 8\text{K}$ to $T_g - 8\text{K}$ corresponds to a doubling of $N_{corr,eq}$. The $\sim 10\%$ increase of $N_{corr}(t_a)$ reported here is thus the long-time “tail” part of this increase (the first 90% increase cannot be measured because it takes place during the quench).
- [35] L. Berthier *et al.*, *Science* **310**, 1797 (2005).
- [36] L. Berthier, G. Biroli, J.-P. Bouchaud, W. Kob, K. Miyazaki, and D. R. Reichman, *J. Chem. Phys.* **126**, 184503 (2007).
- [37] Here we use the T -dependence of N_{corr} obtained in Ref. [21] where the role of the “trivial” nonlinear response has been thoroughly eliminated. This had not been done in Ref. [20], which explains why the T -dependence of N_{corr} was underestimated in Ref. [20].
- [38] This is somehow justified theoretically in A. Lefèvre, arXiv:0910.0397.
- [39] G. Biroli, J. P. Bouchaud, in *Structural Glasses and Supercooled Liquids: Theory, Experiment, and Applications* Eds: P. G. Wolynes, V. Lubchenko, Wiley (2012),
- [40] V. Lubchenko, P. G. Wolynes, *Ann. Rev. Phys. Chem.* **58**, 235 (2007).
- [41] C. Cammarota, A. Cavagna, G. Gradenigo, T. S. Grigera, and P. Verrocchio, *J. Chem. Phys.* **131** 194901 (2009).
- [42] The fit $\tau_\alpha \propto N_{corr}^z$ proposed in [16–18] is of similar quality but leads, here, to unreasonably large values of $z \sim 20$.
- [43] P. Lunkenheimer, A. Loidl, *Chem. Phys.* **248**, 205 (2002).

SUPPLEMENTARY INFORMATION:

For the sake of completeness, we give here the main ingredients of the 3ω measurements in the aging regime. Note that the quantity defined as $\chi_3^{(3)}$ in Eq. (6) below has been noted χ_3 in the main letter, to simplify the notations.

As explained in Refs. [21, 27], when a field $E(t)$ is

applied onto a dielectric liquid, the macroscopic polarisation P can be expressed as :

$$\begin{aligned} \frac{P(t)}{\epsilon_0} = & \int_{-\infty}^{\infty} \chi_1(t-t')E(t')dt' \\ & + \iiint_{-\infty}^{\infty} \chi_3(t-t'_1, t-t'_2, t-t'_3)E(t'_1) \times \\ & \times E(t'_2)E(t'_3)dt'_1dt'_2dt'_3 + \dots, \end{aligned} \quad (5)$$

where the function $\chi_1(t)$ corresponds to the experimental macroscopic linear response while $\chi_3(t_1, t_2, t_3)$ is the experimental macroscopic nonlinear response. This expression is valid as long as the non linear terms are small, i.e. as long as, for any integer k , $|\chi_{2k+1}E^{2k+1}| \ll |\chi_{2k-1}E^{2k-1}|$. This is why Eq. (5) is restricted to the cubic response, and neglects higher order terms.

It is shown in ref. [27], that for a field $E(t) = E \cos(\omega t)$ one gets, from Eq. (5):

$$\begin{aligned} \frac{P(t)}{\epsilon_0} = & E |\chi_1| \cos(\omega t - \delta_1) \\ & + 3/4 E^3 \left| \chi_3^{(1)} \right| \cos(\omega t - \delta_3^{(1)}) \\ & + 1/4 E^3 \left| \chi_3^{(3)} \right| \cos(3\omega t - \delta_3^{(3)}) + \dots \end{aligned} \quad (6)$$

The time dependent polarisation amounts to an electrical current given by

$$I(t) = S \frac{\partial P(t)}{\partial t} \quad (7)$$

where S is the surface of the electrodes. Inserting Eq. (6) into Eq. (7), one finds that $I(t)$ is the sum of a current $I(1\omega, t)$, oscillating at the fundamental frequency, and of a current $I(3\omega, t)$ oscillating at 3ω . As for the field range $E \leq 3\text{MVrms/m}$ involved in our experiments the condition mentioned above $|\chi_{2k+1}E^{2k+1}| \ll |\chi_{2k-1}E^{2k-1}|$ is satisfied, one gets firstly that $|I(3\omega, t)| \ll |I(1\omega, t)|$; secondly that the value of $I(1\omega, t)$ is fully dominated by χ_1 and thus $I(1\omega, t)$ can be, to a very good approximation, analysed by using the usual framework of complex admittance $\mathcal{Y}(\omega)$. The small third harmonics current is given by:

$$I(3\omega, t) = \frac{3}{4} \epsilon_0 S \omega \chi_3^{(3)}(\omega) E^3 \cos(3\omega t + \frac{\pi}{2} - \delta_3^{(3)}) \quad (8)$$

This quantity is so small that carefully designed electronic setups must be used to avoid to mix the sought $I(3\omega, t)$ with the nonlinear imperfections of the voltage source and of the voltage amplifier [27]. It was shown in Ref [27] that two kinds of setups can be used: either a “two samples bridge” involving two samples of different thicknesses -see the inset of Fig. 5-; or a “twin-T notch filter”, see the main part of Fig. 5.

The two samples bridge is a technique measuring a differential voltage $V_m \equiv V_{thin} - V_{thick}$ and relying on the “balancing relation” ensuring that $V_m(1\omega) = 0$: this happens provided one has $z_{thick}\mathcal{Y}_{thick} = z_{thin}\mathcal{Y}_{thin}$ where \mathcal{Y} is the admittance of one sample and z is the impedance relating the sample to the ground. An important feature of the two samples bridge is that once the balancing condition is met at 1ω it is also met at any other frequency. Thus the balancing condition enables, at the same time, to suppress the contribution coming from the nonlinear character of the input voltage amplifier - since $V_{thin}(1\omega) - V_{thick}(1\omega) = 0$; and to suppress the 3ω spurious component of the source -since the linear response of the samples cancels at any frequency-. The two samples bridge is thus the most efficient technique to get $I(3\omega, t)$, *provided one has a way to check that the condition $V_{thin}(1\omega) - V_{thick}(1\omega) = 0$ remains true during the $I(3\omega, t)$ acquisition.* This condition might indeed not remain true in the case where some uncontrolled slight disymetry between the two samples happens, such as the one resulting from a slight difference in the temperature of the two samples. Fortunately, when measuring at equilibrium, one varies the field E : one thus checks all along the 3ω acquisitions that $I(3\omega, t)$ is accurately -up to $\pm 1\%$ - proportional to E^3 , which ensures that the condition $V_{thin}(1\omega) - V_{thick}(1\omega) = 0$ is met -enough- during all the acquisitions. However, in the aging case, one monitors $I(3\omega, t)$ as a function of the age t_a , for a constant E . Thus, if some violation of the condition $V_{thin}(1\omega) - V_{thick}(1\omega) = 0$ happened, it might pollute the age dependence of the 3ω response of the samples, and we would have no way to correct this imperfection.

This is why we have decided to work with only one sample and to use the “Twin-T notch filter” -see Fig. 5-: its transmission coefficient $\mathcal{T}_{filt}(\omega)$ is smaller than 10^{-4} for the frequency $f_0 = 1/(2\pi RC)$ and of order 1 for $3f_0$. Therefore, by choosing the components R, C so as to set $2\pi f_0 = 1\omega$, we are *absolutely sure* that the 1ω voltage at the input of the Lock-in amplifier is small enough during the 3ω acquisitions in the aging regime. Besides, by setting the voltage source to one of the few values where the DS360 voltage source is nearly perfectly harmonic, one gets a setup where the 3ω spurious contribution of the source is nearly negligible -this very little spurious contribution can, of course, be easily measured and subtracted from the measured signal-. This is why we have chosen the twin T notch filter for our 3ω measurements in the aging regime.

At 3ω the sample is equivalent to a pure current source $I(3\omega, t)$ with an impedance $\mathcal{Z}(3\omega) = 1/[\mathcal{Y}(3\omega)]$ placed in parallel. Neglecting for simplicity any remaining spurious contribution of the DS360 source, one gets for the voltage $V_{meas}(3\omega, t)$ measured by the lock-in amplifier:

$$V_{meas}(3\omega, t) = \alpha(3\omega)\mathcal{Z}(3\omega)I(3\omega, t) \quad (9)$$

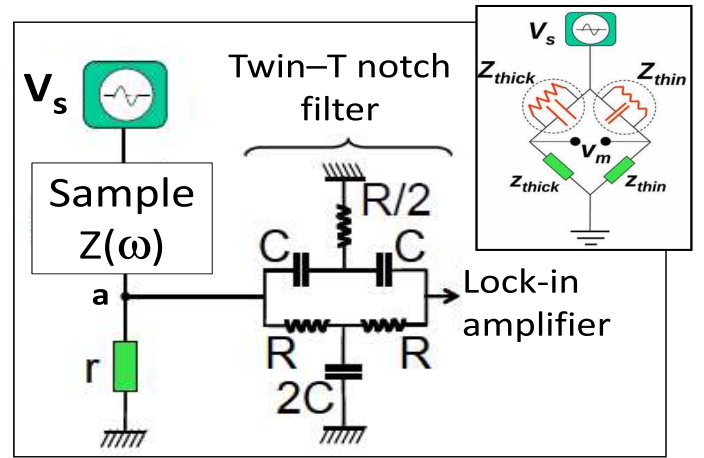


FIG. 5: *Main figure*: Electronic setup used for the measurements of $\chi_3^{(3)}(\omega, t_a)$ in the aging regime. Note that the quantity defined as $\chi_3^{(3)}$ in Eq. (6) of this Supplementary Material has been noted χ_3 in the main letter, to simplify the notations. The “twin-T” notch-filter damps the response at 1ω by a factor larger than 10^4 . *Inset*: Two samples bridge, see ref. [27].

where $\alpha(3\omega)$ is the global transmission coefficient between the sample and the Lock-in. In the simplest case where $(r, |\mathcal{Z}|) \ll (R, 1/[C3\omega])$ the coefficients multiply and one gets $\alpha(3\omega) = \mathcal{T}_{filt}(3\omega) \times r/[r + \mathcal{Z}(3\omega)]$. In any case, $\alpha(3\omega)$ is directly measured by setting the fundamental angular frequency of the source to $\Omega \equiv 3\omega$, and by using $\alpha(\Omega) \equiv V_{meas}(\Omega)/V_{source}(\Omega)$.

Eq. (9) is written at equilibrium, when all the involved quantities no longer depend on the age t_a . At equilibrium, we have of course carefully checked, both at $T = 180.1\text{K}$ and at $T = 182.7\text{K}$, that $V_{meas}(3\omega, t)$ is proportionnal to the cube of the voltage source V_s^3 . In the aging case, all the susceptibilities of the sample -linear and nonlinear- depend on the age t_a . As a result, all the quantities involved in Eq. (9) depend on the age t_a . This is why, by repeating for each quantity the very same T quench, we have separately measured the age dependence of $I(3\omega, t, t_a)$ but also of $\mathcal{Z}(3\omega, t_a)$, $\mathcal{Z}(1\omega, t_a)$, $\alpha(3\omega, t_a)$, and of $V_{appl}(1\omega, t, t_a) = V_s(1\omega, t) - V_a(1\omega, t, t_a)$ where $V_{appl}(1\omega, t, t_a)$ is the voltage applied onto the sample at age t_a and at time t -see Fig. 5-. We have made all the possible consistency checks -for example, given $R, C, \mathcal{Z}(1\omega, t, t_a)$ one can *predict* the age dependence of $V_{appl}(1\omega, t, t_a)$ -. A single T quench lasts 200ks at 180.1K, and for each of the 5 different frequencies ranging from 12mHz to 11Hz, we have measured the age dependence of the 5 different quantities mentionned above. As a result, with all the cross-checks, the data acquisition, for 180.1K and 182.7K altogether, took a bit more than 10^4 ks, i.e. a bit more than 4 months.